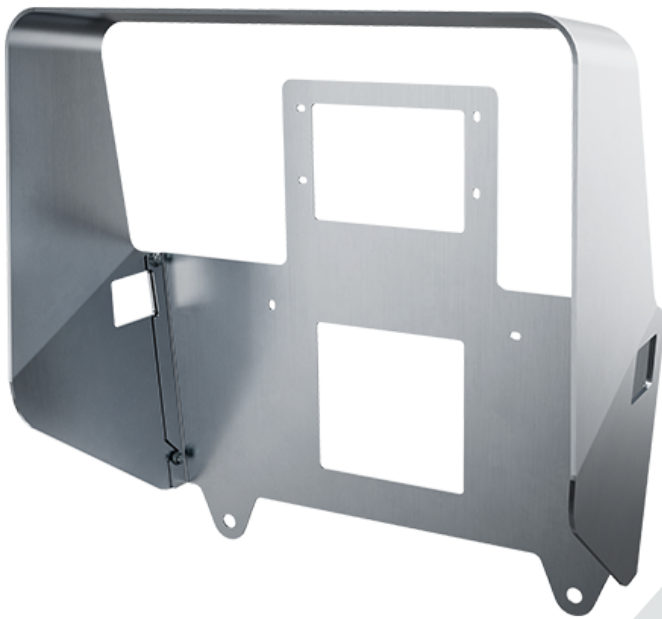


Protection roof AMTRON Prof TC wall mounting

The accessories for the charging station



MENNEKES
Elektrotechnik GmbH & Co. KG

Aloys-Mennekes-Straße 1
57399 Kirchhundem
GERMANY

www.MENNEKES.org

Technical data

Protection roof AMTRON Prof TC wall mounting	18638
Dimensions H x W x D [mm]	555 x 520 x 224
Weight [kg]	9
Material	V2A
Setting up	Mounting on baseboard or foundation

Dimensional drawing

