

MENNEKES

installation box

For simplified mounting and pre-installation



MENNEKES
Elektrotechnik GmbH & Co. KG

Aloys-Mennekes-Straße 1
57399 Kirchhundem
GERMANY

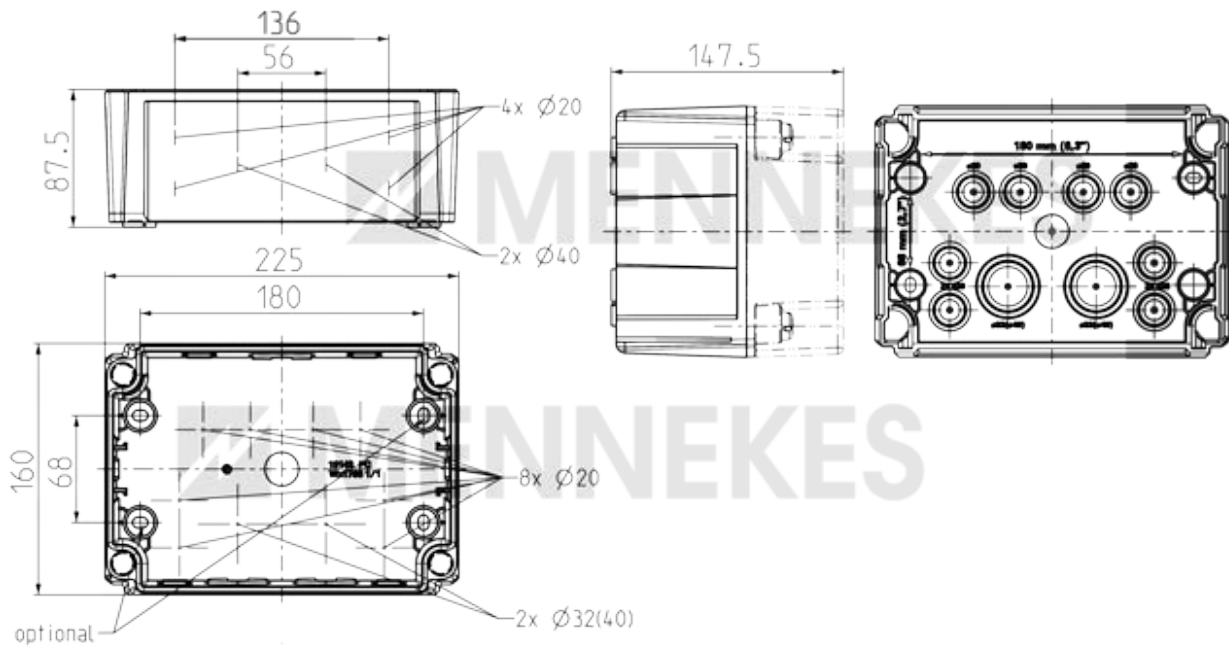
www.MENNEKES.org

Equipment features

General

- Possible pre-mounting
- Removable top-hat rail can be snapped into various positions
- Connection terminals for up to 25mm²
- Connection terminals for downgrade input
- Two RJ45 connection units
- Positioning rotatable by 180°
- Break-out cable entries from above / below / behind
- Four mounting holes with enclosed insulating caps
- Closable with a cover (sold separately)
- Plastic housing

Dimensional drawing



1 MB 718