

# eMobility-Gateway simultaneous locking

For networking MENNEKES charging systems and for connecting to back-end charging systems



**MENNEKES**  
Elektrotechnik GmbH & Co. KG

Aloys-Mennekes-Straße 1  
57399 Kirchhundem  
GERMANY

[www.chargeupyourday.com](http://www.chargeupyourday.com)

# Equipment features

## General

- 2 built-in LTE antennas for optional communication
- Installation material and cable glands included
- Robust lockable enclosure made of AMELAN

## Networking options

- Networking multiple charging stations via RS485 bus

## Options for connecting to a backend system

- Via the integrated wireless modem (2G (GSM) / 3G (UMTS) / 4G (LTE))
  - Mini-SIM card required
- Backend connection of up to 16 charging points via a SIM card
- Support for OCPP 1.5s and OCPP 1.6j communication protocols

## Options for local load management

- Distribution of the available current (maximum current)
- Ensuring power supply to connected vehicles with adjustable minimum charging current
- Avoidance of power peaks
- Optional: Additional option to reduce the maximum connection current via an external input (only possible with the additional conversion kit)

## Technical data

eMobility-Gateway simultaneous locking	310561
Version	parallel closing
Rated current $I_{nA}$ [A]	0.5
Rated voltage $U_N$ [V] AC $\pm 10\%$	230
Rated frequency $f_N$ [Hz]	50
Max. back-up fuse [A]	6
Types of system earthing	TN/TT
EMC classification	A+B
Protection class	II
IP rating	IP54
Overvoltage category	III
Mechanical impact protection	IK08
Contamination rating	3
Installation	open air, interior
Stationary / Mobile	fixed
Use (according to IEC 61439-7)	ACSEV
External design	wall mounting
Dimensions H x W x D [mm]	According to dimensional drawing
Weight [g]	2350
Standard	IEC 61851, IEC 61439-7

The specific standards according to which the product was tested can be found in the declaration of conformity for the product.

# Technical data

## Permissible ambient conditions

	Min.	Max.
Ambient temperature [°C]	-25	40
Average temperature over 24 hours period [°C]		35
Altitude [m above sea level]		2000
Relative humidity [%]		95

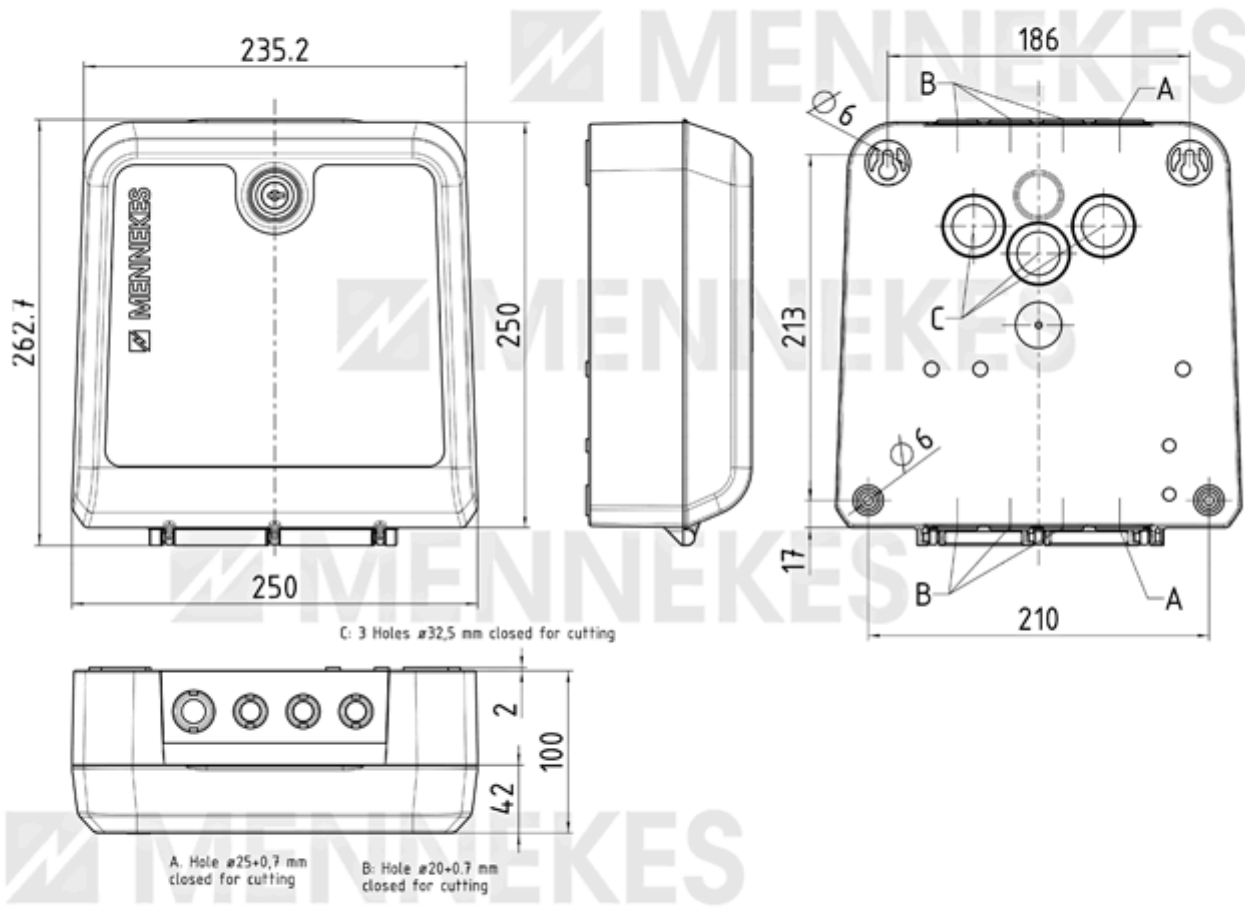
## Supply line terminal strip

Connection technology	Screw terminal	
Number of terminals	3	
Line material	Copper	
	Min.	Max.
Clamping range - rigid [mm <sup>2</sup> ]	0.2	2.5
Clamping range - flexible [mm <sup>2</sup> ]	0.2	2.5
Tightening torque [Nm]	0.6	0.8

## RS 485 bus cable terminal strip

Connection technology	Spring cage connection	
Number of terminals	2	
Number of terminals (shield supports)	2	
	Min.	Max.
Clamping range - rigid [mm <sup>2</sup> ]	0.08	6
Clamping range - flexible [mm <sup>2</sup> ]	0.08	4
Tightening torque [Nm]	-	-

# Dimensional drawing



1 MB 646