

eMobility-Gateway varying locking

For networking MENNEKES charging systems and for connecting to back-end charging systems



MENNEKES
Elektrotechnik GmbH & Co. KG

Aloys-Mennekes-Straße 1
57399 Kirchhundem
GERMANY

www.chargeupyourday.com

Equipment features

General

- 2 built-in LTE antennas for optional communication
- Installation material and cable glands included
- Robust lockable enclosure made of AMELAN

Networking options

- Networking multiple charging stations via RS485 bus

Options for connecting to a backend system

- Via the integrated wireless modem (2G (GSM) / 3G (UMTS) / 4G (LTE))
 - Mini-SIM card required
- Backend connection of up to 16 charging points via a SIM card
- Support for OCPP 1.5s and OCPP 1.6j communication protocols

Options for local load management

- Distribution of the available current (maximum current)
- Ensuring power supply to connected vehicles with adjustable minimum charging current
- Avoidance of power peaks
- Optional: Additional option to reduce the maximum connection current via an external input (only possible with the additional conversion kit)

Technical data

| eMobility-Gateway varying locking | 310551 |
|--------------------------------------|----------------------------------|
| Version | different closing |
| Rated current I_{nA} [A] | 0.5 |
| Rated voltage U_N [V] AC \pm 10% | 230 |
| Rated frequency f_N [Hz] | 50 |
| Max. back-up fuse [A] | 6 |
| Types of system earthing | TN/TT |
| EMC classification | A+B |
| Protection class | II |
| IP rating | IP54 |
| Overvoltage category | III |
| Mechanical impact protection | IK08 |
| Contamination rating | 3 |
| Installation | open air, interior |
| Stationary / Mobile | fixed |
| Use (according to IEC 61439-7) | ACSEV |
| External design | wall mounting |
| Dimensions H x W x D [mm] | According to dimensional drawing |
| Weight [g] | 2320 |
| Standard | IEC 61851, IEC 61439-7 |

The specific standards according to which the product was tested can be found in the declaration of conformity for the product.

Technical data

Permissible ambient conditions

| | Min. | Max. |
|---|------|------|
| Ambient temperature [°C] | -25 | 40 |
| Average temperature over 24 hours period [°C] | | 35 |
| Altitude [m above sea level] | | 2000 |
| Relative humidity [%] | | 95 |

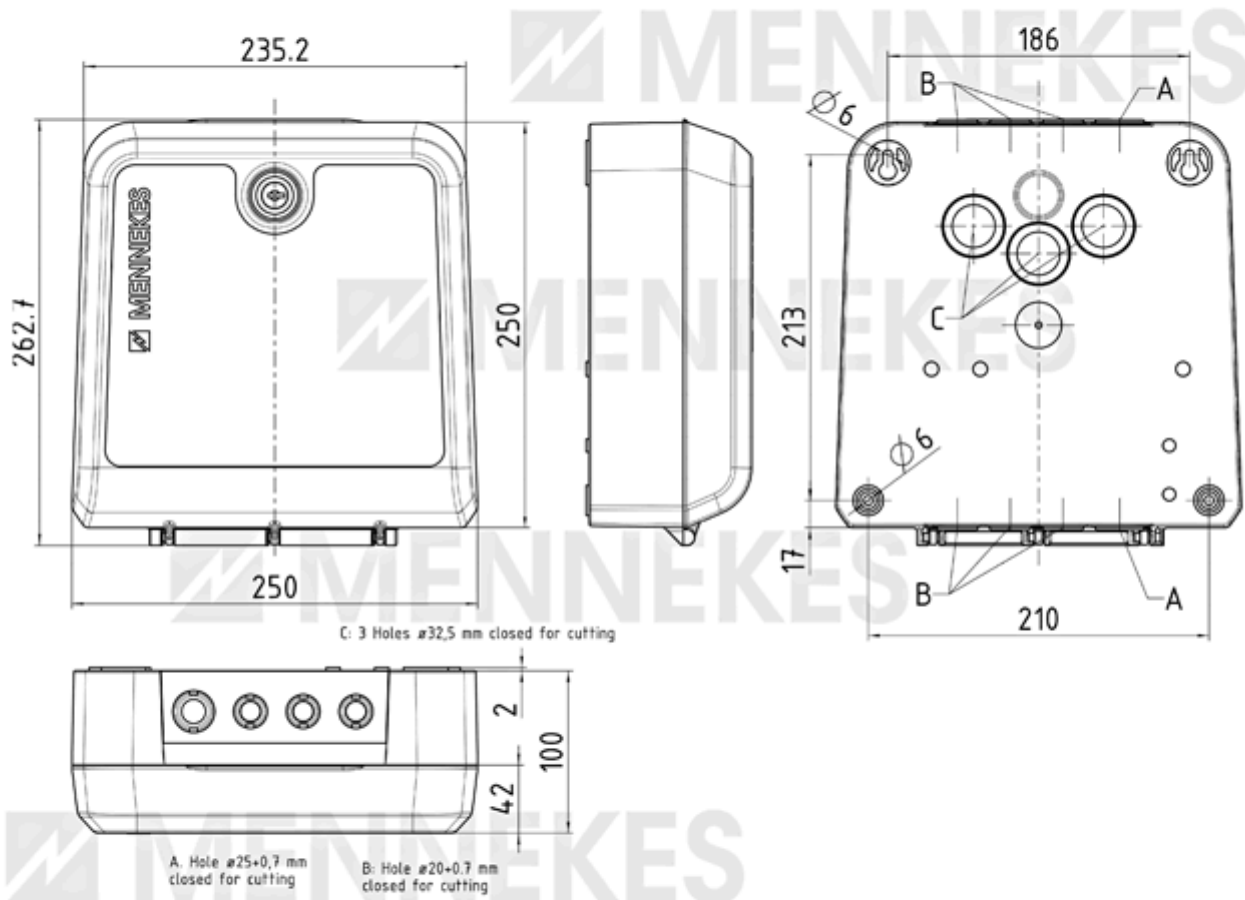
Supply line terminal strip

| Connection technology | Screw terminal | |
|--|----------------|------|
| Number of terminals | 2 | |
| Line material | Copper | |
| | Min. | Max. |
| Clamping range - rigid [mm ²] | 0.2 | 2.5 |
| Clamping range - flexible [mm ²] | 0.2 | 2.5 |
| Tightening torque [Nm] | 0.6 | 0.8 |

RS 485 bus cable terminal strip

| Connection technology | Spring cage connection | |
|--|------------------------|------|
| Number of terminals | 2x2 | |
| Number of terminals (shield supports) | 2 | |
| | Min. | Max. |
| Clamping range - rigid [mm ²] | 0.08 | 6 |
| Clamping range - flexible [mm ²] | 0.08 | 4 |
| Tightening torque [Nm] | - | - |

Dimensional drawing



1 MB 646