

Panel mounted receptacle Cepex

Part number: 4847



MENNEKES
Elektrotechnik GmbH & Co. KG

Aloys-Mennekes-Straße 1
57399 Kirchhundem
GERMANY

www.MENNEKES.org

Product Description

- screw connection technology
- with labeling field
- also suitable for installation in cable ducts and power posts

Technical Details

Panel mounted receptacle Cepex	4847
Product serie	Cepex
Ampere	32A
Number of poles	3p
Clock position	6h
Nominal voltage AC	230V
Nominal frequency	50 - 60 Hz
Protection type IP	IP54
Contact carrier	standard
X-CONTACT	no
Connection	screw terminals
Contact screw drive	PZ2, slot
Pilot contact	without pilot contact
Pilot contact switch	no
Insertion direction	straight
Highly resistant to chemicals	no
Military version	no
Lockable	no
Labeling field	yes
Tightening torque connection terminal	2 Nm
Strip length flexible conductor	8 - 10 mm
Strip length solid conductor	8 - 10 mm
Conductor cross-section min.	2.5 mm ²
Conductor cross-section max.	6 mm ²
Weight (net)	238 g
Packaging unit	8 pcs
Quantity per pallet	720 pcs

Panel mounted receptacle Cepex	4847
EAN / identification number	4015394314981

Permissible ambient conditions

	Min.	Max.
Permissible ambient temperature	-25 °C	40 °C
Average temperature over 24 hours		35 °C

Material properties

Housing	PC/ASA pearl white [similar RAL 1013]
Hinged lid	PC/ASA pearl white [similar RAL 1013]

Material resistance

The material resistance overview can be found on the website in the section “Knowledge” - “Product knowledge” - “Materials”.

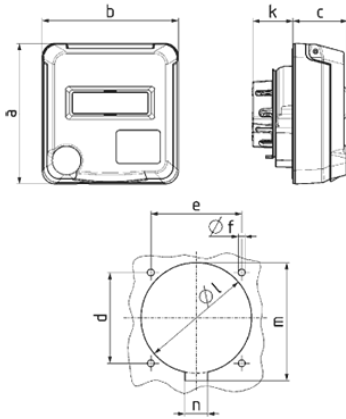
Material and environmental properties

RoHS 2011/65/EU incl. 2015/863/EU	✓
POP regulation (EU) 2019/1021	✓
Halogen-free	yes

Regulations and Standards

Norm	DIN EN IEC 60309-2
Declaration of Conformity	CE

Dimensional Drawing



Drawing	Amp.	16			32		
		3	4	5	3	4	5
1 MB 751	Poles						
Dim. in mm	a	93	93	93	93	93	93
	b	90	90	90	90	90	90
	c	36	36	36	36	36	36
	d	60	60	60	60	60	60
	e	60	60	60	60	60	60
	f	4.5	4.5	4.5	4.5	4.5	4.5
	k	26	27	27	43	43	43
	l	68	68	73	73	73	73
	m	-	-	-	78	78	78
	n	-	-	-	15	15	15
	Terminal for cond. cross section (mm²) min.-max.	1.5	1.5	1.5	2.5	2.5	2.5
		-4	-4	-4	-6	-6	-6