

Panel mounted receptacle

Part number: 22928



MENNEKES
Elektrotechnik GmbH & Co. KG

Aloys-Mennekes-Straße 1
57399 Kirchhundem
GERMANY

www.MENNEKES.org

Product Description

- screw connection technology
- nickel plated contacts, highly heat resistant contact carrier
- straight insertion direction
- (form AS)

Technical Details

Panel mounted receptacle	22928
Ampere	16A
Number of poles	3p
Clock position	6h
Nominal voltage AC	230V
Nominal frequency	50 - 60 Hz
Protection type IP	IP67
Contact carrier	nickel plated contacts, highly heat resistant contact carrier
X-CONTACT	no
Connection	screw terminals
Contact screw drive	PZ2, slot
Pilot contact	without pilot contact
Pilot contact switch	no
Flange dimensions	75 x 75 mm
Hole spacings	60 x 60 mm
Insertion direction	straight
Highly resistant to chemicals	no
Military version	yes
Tightening torque connection terminal for cable cross-section 1,0 - 1,5 mm ²	0.6 Nm
Tightening torque connection terminal for cable cross-section 2,5 - 4,0 mm ²	0.8 Nm
Tightening torque connection terminal for cable cross-section 6 - 10 mm ²	1.2 Nm
Strip length PH + N flexible conductor	8 - 10 mm
Strip length PE flexible conductor	12 - 17 mm
Strip length PH + N solid conductor	8 - 10 mm

Panel mounted receptacle	22928
Strip length PE solid conductor	12 - 17 mm
Conductor cross-section min.	1.5 mm ²
Conductor cross-section max.	4 mm ²
Weight (net)	168 g
Packaging unit	10 pcs
Quantity per pallet	880 pcs
EAN / identification number	4015394043041

Permissible ambient conditions

	Min.	Max.
Permissible ambient temperature	-25 °C	40 °C
Average temperature over 24 hours		35 °C

Material properties

Housing	PA6 bronze green [similar RAL 6031]
Hinged lid	PC bronze green [similar RAL 6031]
	PC bronze green [similar RAL 6031]

Material resistance

The material resistance overview can be found on the website in the section "Knowledge" - "Product knowledge" - "Materials".

Material and environmental properties

RoHS 2011/65/EU incl. 2015/863/EU	✓
POP regulation (EU) 2019/1021	✓
Halogen-free	yes

Regulations and Standards

Norm

DIN EN IEC 60309-2

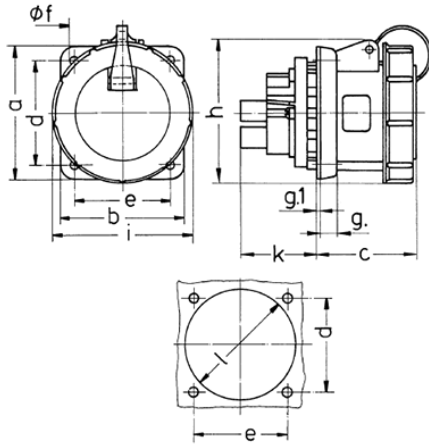
Declaration of Conformity

CE

Test label

CB Zertifikat, VDE, EAC

Dimensional Drawing



Drawing	Amp.	16		32		63
		Poles		3	5	3
1 MB 217/1						
Dim. in mm	a	75	75	85	85	107
	b	75	75	75	75	100
	c	60	60	67	73	82
	d	60	60	60	60	85
	e	60	60	60	60	77
	f	5.5	5.5	5.5	5.5	6.5
	g.	8	8	8	8	12
	g.1	2	2	2	2	2
	h	81	95	95	106	115
	i	70	88	94	102	114
	k	26	27	34	34	55
	l	52	57	58	65	88
Terminal for cond. cross section (mm ²) min.-max.		1.5	1.5	2.5	2.5	6
		—4	—4	—10	—10	—25