

Panel mounted inlet

Part number: 75261



MENNEKES
Elektrotechnik GmbH & Co. KG

Aloys-Mennekes-Straße 1
57399 Kirchhundem
GERMANY

www.MENNEKES.org

Product Description

- highly heat resistant contact carrier, nickel plated contacts
- external fixing
- a retaining nose to hold the hinged lid of the connector must be provided by the customer in order to ensure satisfactory locking
- EcoLine
- aluminium enclosure
- seawater resistant products are available on request

Technical Details

Panel mounted inlet	75261
Ampere	200A
Number of poles	4p
Clock position	6h
Nominal voltage AC	400V
Nominal frequency	50 - 60 Hz
Protection type IP	IP67
Contact carrier	highly heat resistant contact carrier, nickel plated contacts
Connection	cage terminals
Tightening torque connection terminal	allen key
Phase inverter	without phase inverter
Pilot contact	2 pilot contacts
Flange dimensions	140 x 140 mm
Hole spacings	120 x 120 mm
Insertion direction	straight
Type of mounting	external fixing
Military version	no
Protection cap	without protection cap
Tightening torque connection terminal	8 Nm
Recommended wire end treatment for supply cable connection terminal	usable with and without ferrule
Strip length jacket	150 mm
Strip length conductor	30 mm
Conductor cross-section min.	35 mm ²

Panel mounted inlet	75261
Conductor cross-section max.	150 mm ²
Conductor cross-section pilot max.	4 mm ²
Weight (net)	2223 g
Packaging unit	1 Stück
Quantity per pallet	48 Stück
EAN / identification number	4015394117308

Permissible ambient conditions		
	Min.	Max.
Permanent ambient temperature	-40 °C	100 °C

Material properties	
Housing	aluminium grey [no RAL colour code]

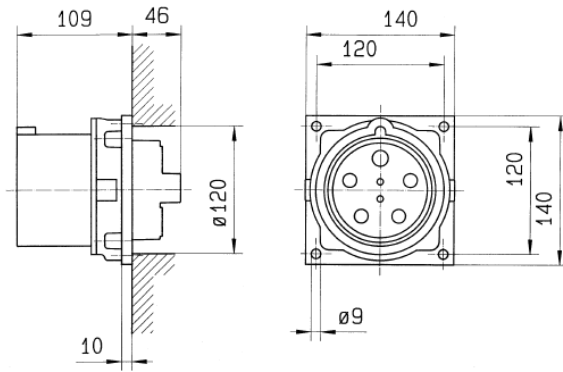
Material resistance

The material resistance overview can be found on the website in the section “Knowledge” - “Product knowledge” - “Materials”.

Material and environmental properties	
RoHS 2011/65/EU incl. 2015/863/EU	✓
POP regulation (EU) 2019/1021	✓
Halogen-free	yes

Regulations and Standards	
Norm	DIN EN IEC 60309
Declaration of Conformity	CE
Test label	EAC

Dimensional Drawing



Drawing
2 MB 196

Dim. in mm