

Double Box with TwinCONTACT
Part no. 1651

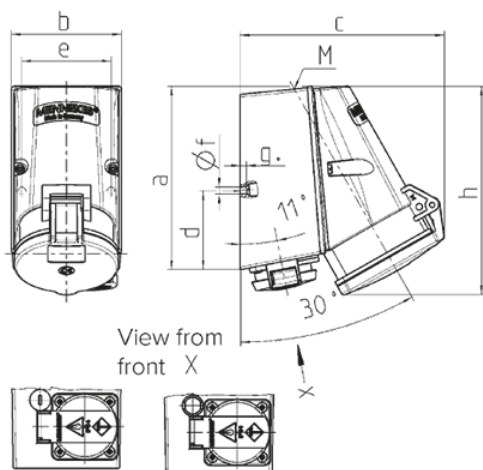


- screwless spring terminals
- CEE and receptacle SCHUKO® in one enclosure
- with fuse holder, max. 10 A

Technical specifications

| | |
|----------------------|-------------------------------|
| CEE 32 A, 5 p, 400 V | 1 |
| SCHUKO® | 1 |
| Fusing | • with fuse holder, max. 10 A |
| Protection type | IP44 |
| Shutter | false |
| Enclosure material | Plastic |
| Weight | 500 g |
| Certifications | VDE |

Drawing



| Drawing | Amp. | 16 | | 32 |
|---|------|-------|-----|-----|
| | | Poles | | 5 |
| 1 MB 354 | | 4 | 5 | 5 |
| Dim. in mm | a | 141 | 141 | 141 |
| | b | 84 | 84 | 85 |
| | c | 136 | 140 | 158 |
| | d | 61 | 61 | 61 |
| | e | 68 | 68 | 68 |
| | f | 5.5 | 5.5 | 5.5 |
| | g | 5 | 5 | 5 |
| | h | 142 | 145 | 161 |
| | M | 25 | 25 | 25 |
| Max. cable diam. (mm) | | 18 | 18 | 18 |
| Terminal for cond. cross section (mm ²) min.-max. | | 1.5 | 1.5 | 2.5 |
| | | —4 | —4 | —10 |