

# Connector

# PowerTOP Xtra R

Part Number: 14589



## MENNEKES

Elektrotechnik GmbH & Co. KG  
Aloys-Mennekes-Straße 1  
57399 KIRCHHUNDEM GERMANY  
[www.MENNEKES.org](http://www.MENNEKES.org)

# Product Description

- screw connection technology ErgoCONTACT
- X-CONTACT
- highly heat resistant contact carrier
- nickel plated contacts
- ergonomic enclosure design with nubbed grip zones
- rubberised cable gland with sealing
- strain relief and protection against kinking
- thread lock and safety slide
- area for self-adhesive labels

# Technical Details

| Connector - PowerTOP Xtra R  | 14589   |
|------------------------------|---|
| Product series               | PowerTOP Xtra R                                 |
| Ampere                       | 16 A  |
| UL-Ampere                    | -   |
| Number of Poles              | 3 P   |
| Clock position               | 3 h   |
| Voltage                      | 50-250 V DC                                     |
| Hertz                        | -   |
| Current Type                 | DC  |
| Protection Type              | IP54  |
| Contact carrier              | Nickel-plated contacts<br>Highly heat resistant |
| Pilot contact                | Without pilot contact                           |
| Connection                   | Screw terminals - ErgoCONTACT®                  |
| Screw drive contact screw    | Combination head screw (PZ2 and slotted)        |
| Conductor cross-section min. | 1 mm <sup>2</sup>                               |

|                              |                            |
|------------------------------|----------------------------|
| Conductor cross-section max. | 2.5 mm <sup>2</sup>        |
| Cable kink protection        | Integrated in cable gland  |
| Protective grommet           | Without protective grommet |
| EAN / Identification number  | 4015394305811              |

### Permissible ambient conditions

|   |                 |
|---|-----------------|
| Permanent ambient temperature min. - max. | -25 °C - +40 °C |
|---|-----------------|

### Material properties

|            |                              |
|------------|------------------------------|
| Hinged lid | PC<br>similar RAL 7035 grey  |
| Cover      | PA6<br>similar RAL 7000 grey |
| Front part | PA6<br>similar RAL 7035 grey |

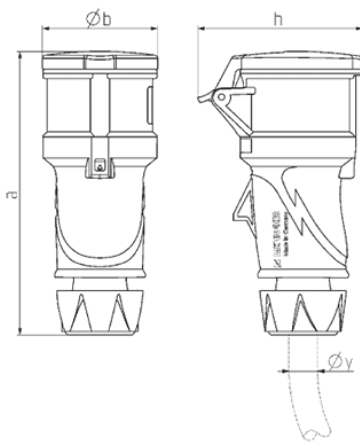
### Material resistance

The material resistance overview can be found on the website in the section “Knowledge” → “Product knowledge” → “Materials”

**Regulations and Standards**

|                                       |   |
|---------------------------------------|---|
| REACH (Regulation (EG) No. 1907/2006) | Information according to article 33 REACH:<br>SVHC: Lead (CAS: 7439-92-1) |
| RoHS 2011/65/EU incl. 2015/863/EU     | ✓   |
| POP Regulation (EU) 2019/1021         | ✓   |
| Norm(s)                               | IEC 60309-2   |
| Declaration of conformity             | CE  |

# Dimensional drawing



| Drawing                              | Amp.<br>Poles | 16   |       |       | 32   |      |      |
|--------------------------------------|---------------|------|-------|-------|------|------|------|
|                                      |               | 3    | 4     | 5     | 3    | 4    | 5    |
| <b>3 MB 79</b>                       |               |      |       |       |      |      |      |
| Dim. in mm                           | <b>a</b>      | 165  | 177   | 174   | 211  | 211  | 209  |
|                                      | <b>b</b>      | 55   | 68    | 69    | 78   | 78   | 80   |
|                                      | <b>h</b>      | 72   | 93    | 98    | 100  | 100  | 108  |
| <b>y min. from</b>                   |               | 7    | 8     | 8     | 10.5 | 10.5 | 13.5 |
| <b>to max. mm</b>                    |               | -13  | -15.5 | -15.5 | -18  | -18  | -20  |
| Terminal for cond. cross             |               | 1    | 1     | 1     | 2.5  | 2.5  | 2.5  |
| section (mm <sup>2</sup> ) min.-max. |               | -2.5 | -2.5  | -2.5  | -6   | -6   | -6   |