

# Connector

# PowerTOP Xtra R

Part Number: 14557



**MENNEKES**

Elektrotechnik GmbH & Co. KG  
Aloys-Mennekes-Straße 1  
57399 KIRCHHUNDEM GERMANY  
[www.MENNEKES.org](http://www.MENNEKES.org)

# Product Description

- screw connection technology ErgoCONTACT
- X-CONTACT
- highly heat resistant contact carrier
- nickel plated contacts
- ergonomic enclosure design with nubbed grip zones
- rubberised cable gland with sealing
- strain relief and protection against kinking
- thread lock and safety slide
- area for self-adhesive labels

# Technical Details

Connector - PowerTOP Xtra R	14557
Product series	PowerTOP Xtra R
Ampere	16 A
UL-Ampere	-
Number of Poles	4 P
Clock position	9 h
Voltage	230 V
Hertz	50-60 Hz
Current Type	AC
Protection Type	IP54
Contact carrier	Nickel-plated contacts Highly heat resistant
Pilot contact	Without pilot contact
Connection	Screw terminals - ErgoCONTACT®
Screw drive contact screw	Combination head screw (PZ2 and slotted)
Conductor cross-section min.	1 mm <sup>2</sup>

Conductor cross-section max.	2.5 mm <sup>2</sup>
Cable kink protection	Integrated in cable gland
Protective grommet	Without protective grommet
EAN / Identification number	4015394305675

### Permissible ambient conditions

Permanent ambient temperature min. - max.	-25 °C - +40 °C
---	-----------------

### Material properties

Hinged lid	PC similar RAL 5017 blue
Cover	PA6 similar RAL 7000 grey
Front part	PA6 similar RAL 5017 blue

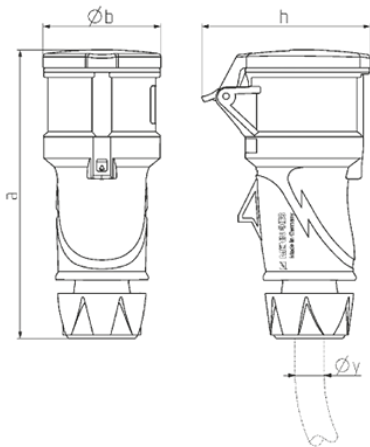
### Material resistance

The material resistance overview can be found on the website in the section “Knowledge” → “Product knowledge” → “Materials”

**Regulations and Standards**

REACH (Regulation (EG) No. 1907/2006)	Information according to article 33 REACH: SVHC: Lead (CAS: 7439-92-1)
RoHS 2011/65/EU incl. 2015/863/EU	✓
POP Regulation (EU) 2019/1021	✓
Norm(s)	IEC 60309-2
Declaration of conformity	CE

# Dimensional drawing



Drawing	Amp.	16			32		
		3	4	5	3	4	5
<b>3 MB 79</b>	<b>Poles</b>						
<b>Dim. in mm</b>	<b>a</b>	165	177	174	211	211	209
	<b>b</b>	55	68	69	78	78	80
	<b>h</b>	72	93	98	100	100	108
<b>y min. from</b>		7	8	8	10.5	10.5	13.5
<b>to max. mm</b>		-13	-15.5	-15.5	-18	-18	-20
<b>Terminal for cond. cross</b>		1	1	1	2.5	2.5	2.5
<b>section (mm<sup>2</sup>) min.-max.</b>		-2.5	-2.5	-2.5	-6	-6	-6