

Connector

PowerTOP Xtra R

Part Number: 14553



MENNEKES

Elektrotechnik GmbH & Co. KG
Aloys-Mennekes-Straße 1
57399 KIRCHHUNDEM GERMANY
www.MENNEKES.org

Product Description

- screw connection technology ErgoCONTACT
- X-CONTACT
- highly heat resistant contact carrier
- nickel plated contacts
- ergonomic enclosure design with nubbed grip zones
- rubberised cable gland with sealing
- strain relief and protection against kinking
- thread lock and safety slide
- area for self-adhesive labels

Technical Details

| Connector - PowerTOP Xtra R | 14553 |
|------------------------------|---|
| Product series | PowerTOP Xtra R |
| Ampere | 16 A |
| UL-Ampere | - |
| Number of Poles | 3 P |
| Clock position | 7 h |
| Voltage | 500 V |
| Hertz | 50-60 Hz |
| Current Type | AC |
| Protection Type | IP54 |
| Contact carrier | Nickel-plated contacts Highly heat resistant |
| Pilot contact | Without pilot contact |
| Connection | Screw terminals - ErgoCONTACT® |
| Screw drive contact screw | Combination head screw (PZ2 and slotted) |
| Conductor cross-section min. | 1 mm ² |

| | |
|------------------------------|----------------------------|
| Conductor cross-section max. | 2.5 mm ² |
| Cable kink protection | Integrated in cable gland |
| Protective grommet | Without protective grommet |
| EAN / Identification number | 4015394305620 |

Permissible ambient conditions

| | |
|---|-----------------|
| Permanent ambient temperature min. - max. | -25 °C - +40 °C |
|---|-----------------|

Material properties

| | |
|------------|-------------------------------|
| Hinged lid | PC similar RAL 9005 black |
| Cover | PA6 similar RAL 7000 grey |
| Front part | PA6 similar RAL 9005 black |

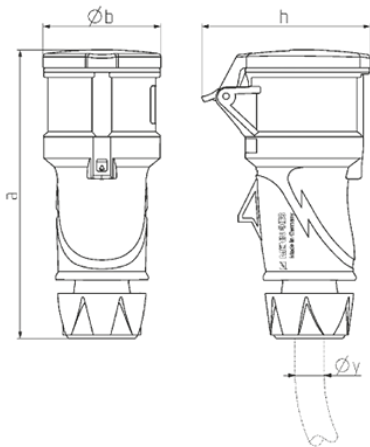
Material resistance

The material resistance overview can be found on the website in the section “Knowledge” → “Product knowledge” → “Materials”

Regulations and Standards

| | |
|---------------------------------------|---|
| REACH (Regulation (EG) No. 1907/2006) | Information according to article 33 REACH: SVHC: Lead (CAS: 7439-92-1) |
| RoHS 2011/65/EU incl. 2015/863/EU | ✓ |
| POP Regulation (EU) 2019/1021 | ✓ |
| Norm(s) | IEC 60309-2 |
| Declaration of conformity | CE |

Dimensional drawing



| Drawing | Amp. Poles | 16 | | | 32 | | |
|---|---------------|------|-------|-------|------|------|------|
| | | 3 | 4 | 5 | 3 | 4 | 5 |
| 3 MB 79 | | | | | | | |
| Dim. in mm | a | 165 | 177 | 174 | 211 | 211 | 209 |
| | b | 55 | 68 | 69 | 78 | 78 | 80 |
| | h | 72 | 93 | 98 | 100 | 100 | 108 |
| y min. from | | 7 | 8 | 8 | 10.5 | 10.5 | 13.5 |
| to max. mm | | -13 | -15.5 | -15.5 | -18 | -18 | -20 |
| Terminal for cond. cross | | 1 | 1 | 1 | 2.5 | 2.5 | 2.5 |
| section (mm²) min.-max. | | -2.5 | -2.5 | -2.5 | -6 | -6 | -6 |