

# Plug

# PowerTOP Xtra R

Part Number: 13668



## MENNEKES

Elektrotechnik GmbH & Co. KG  
Aloys-Mennekes-Straße 1  
57399 KIRCHHUNDEM GERMANY  
[www.MENNEKES.org](http://www.MENNEKES.org)

# Product Description

- screw connection technology ErgoCONTACT
- highly heat resistant contact carrier
- nickel plated contacts
- ergonomic enclosure design with nubbed grip areas
- rubberised cable gland with sealing
- rubberised bayonet ring
- sealed against dust, temporary submersion and high pressure cleaning
- strain relief and protection against kinking
- thread lock and safety slide
- area for self-adhesive labels

# Technical Details

Plug - PowerTOP Xtra R	13668
Product series	PowerTOP Xtra R
Ampere	16 A
UL-Ampere	-
Number of Poles	3 P
Clock position	12 h
Voltage	Isolating Transformer
Hertz	-
Current Type	AC
Protection Type	IP67/IP69
Contact carrier	Nickel-plated contacts Highly heat resistant
Pilot contact	Without pilot contact
Connection	Screw terminals - ErgoCONTACT®
Screw drive contact screw	Combination head screw (PZ2 and slotted)
Phase inverter plugs	Without phase inverter

Conductor cross-section min.	1 mm <sup>2</sup>
Conductor cross-section max.	2.5 mm <sup>2</sup>
Cable kink protection	Integrated in cable gland
Protective grommet	Without protective grommet
Protective cap	Without protective cap
EAN / Identification number	4015394306221

### Permissible ambient conditions

Permanent ambient temperature min. - max.	-25 °C - +40 °C
---	-----------------

### Material properties

Cover	PA6 similar RAL 7000 grey
Front part	PA6 similar RAL 7035 grey

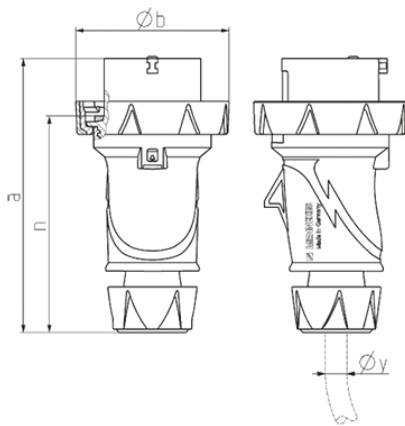
### Material resistance

The material resistance overview can be found on the website in the section "Knowledge" → "Product knowledge" → "Materials"

**Regulations and Standards**

REACH (Regulation (EG) No. 1907/2006)	Information according to article 33 REACH: SVHC: Lead (CAS: 7439-92-1)
RoHS 2011/65/EU incl. 2015/863/EU	✓
POP Regulation (EU) 2019/1021	✓
Norm(s)	IEC 60309-2
Declaration of conformity	CE

# Dimensional drawing



Drawing	Amp.	16			32		
		Poles			3	4	5
<b>2 MB 256</b>							
Dim. in mm	a	154	163	163	196	196	196
	b	73	81	89	95	95	102
	n	121	129	129	154	154	154
y min. from		7	8	8	10.5	10.5	13.5
to max. mm		-13	-15.5	-15.5	-18	-18	-20
Terminal for cond. cross		1	1	1	-2.5	-2.5	-2.5
section (mm <sup>2</sup> ) min.-max.		-2.5	-2.5	-2.5	-6	-6	-6