

Plug

PowerTOP Xtra R

Part Number: 13603



MENNEKES

Elektrotechnik GmbH & Co. KG
Aloys-Mennekes-Straße 1
57399 KIRCHHUNDEM GERMANY
www.MENNEKES.org

Product Description

- screw connection technology ErgoCONTACT
- highly heat resistant contact carrier
- nickel plated contacts
- ergonomic enclosure design with nubbed grip areas
- rubberised cable gland with sealing
- strain relief and protection against kinking
- thread lock and safety slide
- area for self-adhesive labels

Technical Details

Plug - PowerTOP Xtra R	13603
Product series	PowerTOP Xtra R
Ampere	32 A
UL-Ampere	-
Number of Poles	3 P
Clock position	3 h
Voltage	50-250 V
Hertz	-
Current Type	DC
Protection Type	IP54
Contact carrier	Highly heat resistant
Pilot contact	Without pilot contact
Connection	Screw terminals - ErgoCONTACT®
Screw drive contact screw	Combination head screw (PZ2 and slotted)
Phase inverter plugs	Without phase inverter
Conductor cross-section min.	2.5 mm ²

Conductor cross-section max.	6 mm ²
Cable kink protection	Integrated in cable gland
Protective grommet	Without protective grommet
Protective cap	Without protective cap
EAN / Identification number	4015394305422

Permissible ambient conditions

Permanent ambient temperature min. - max.	-25 °C - +40 °C
---	-----------------

Material properties

Cover	PA6 similar RAL 7000 grey
Front part	PA6 similar RAL 7035 grey

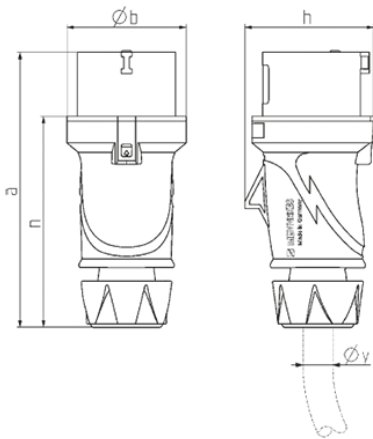
Material resistance

The material resistance overview can be found on the website in the section “Knowledge” → “Product knowledge” → “Materials”

Regulations and Standards

REACH (Regulation (EG) No. 1907/2006)	Information according to article 33 REACH: SVHC: Lead (CAS: 7439-92-1)
RoHS 2011/65/EU incl. 2015/863/EU	✓
POP Regulation (EU) 2019/1021	✓
Norm(s)	IEC 60309-2
Declaration of conformity	CE

Dimensional drawing



Drawing	Amp. Poles	16			32		
		3	4	5	3	4	5
2 MB 253							
Dim. in mm	a	154	163	163	196	196	196
	b	55	68	68	78	78	78
	h	58	70	74	81	81	86
	n	118	126	126	151	151	151
y min. from		7	8	8	10.5	10.5	13.5
to max. mm		-13	-15.5	-15.5	-18	-18	-20
Terminal for cond. cross		1	1	1	-2.5	-2.5	-2.5
section (mm ²) min.-max.		-2.5	-2.5	-2.5	-6	-6	-6