

# Plug

# PowerTOP Xtra R

Part Number: 13576



**MENNEKES**

Elektrotechnik GmbH & Co. KG  
Aloys-Mennekes-Straße 1  
57399 KIRCHHUNDEM GERMANY  
[www.MENNEKES.org](http://www.MENNEKES.org)

# Product Description

- screw connection technology ErgoCONTACT
- highly heat resistant contact carrier
- nickel plated contacts
- ergonomic enclosure design with nubbed grip zones
- rubberised cable gland with sealing
- strain relief and protection against kinking
- thread lock and safety slide
- area for self-adhesive labels

# Technical Details

| Plug - PowerTOP Xtra R    | 13576   |
|---------------------------|---|
| Product series            | PowerTOP Xtra R                                 |
| Ampere                    | 32 A  |
| UL-Ampere                 | -   |
| Number of Poles           | 3 P   |
| Clock position            | 2 h   |
| Voltage                   | 50-500 V  |
| Hertz                     | 300-500 Hz                                      |
| Current Type              | AC  |
| Protection Type           | IP54  |
| Contact carrier           | Nickel-plated contacts<br>Highly heat resistant |
| Pilot contact             | Without pilot contact                           |
| Connection                | Screw terminals - ErgoCONTACT®                  |
| Screw drive contact screw | Combination head screw (PZ2 and slotted)        |
| Phase inverter plugs      | Without phase inverter                          |

|                              |                            |
|------------------------------|----------------------------|
| Conductor cross-section min. | 2.5 mm <sup>2</sup>        |
| Conductor cross-section max. | 6 mm <sup>2</sup>          |
| Cable kink protection        | Integrated in cable gland  |
| Protective grommet           | Without protective grommet |
| Protective cap               | Without protective cap     |
| EAN / Identification number  | 4015394305293              |

### Permissible ambient conditions

|   |                 |
|---|-----------------|
| Permanent ambient temperature min. - max. | -25 °C - +40 °C |
|---|-----------------|

### Material properties

|            |                               |
|------------|-------------------------------|
| Cover      | PA6<br>similar RAL 7000 grey  |
| Front part | PA6<br>similar RAL 6010 green |

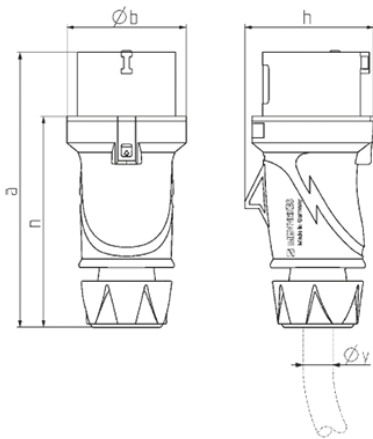
### Material resistance

The material resistance overview can be found on the website in the section "Knowledge" → "Product knowledge" → "Materials"

**Regulations and Standards**

|                                       |   |
|---------------------------------------|---|
| REACH (Regulation (EG) No. 1907/2006) | Information according to article 33 REACH:<br>SVHC: Lead (CAS: 7439-92-1) |
| RoHS 2011/65/EU incl. 2015/863/EU     | ✓   |
| POP Regulation (EU) 2019/1021         | ✓   |
| Norm(s)                               | IEC 60309-2   |
| Declaration of conformity             | CE  |

# Dimensional drawing



| Drawing                              | Amp.<br>Poles | 16   |       |       | 32   |      |      |
|--------------------------------------|---------------|------|-------|-------|------|------|------|
|                                      |               | 3    | 4     | 5     | 3    | 4    | 5    |
| <b>2 MB 253</b>                      |               |      |       |       |      |      |      |
| Dim. in mm                           | a             | 154  | 163   | 163   | 196  | 196  | 196  |
|                                      | b             | 55   | 68    | 68    | 78   | 78   | 78   |
|                                      | h             | 58   | 70    | 74    | 81   | 81   | 86   |
|                                      | n             | 118  | 126   | 126   | 151  | 151  | 151  |
| y min. from                          |               | 7    | 8     | 8     | 10.5 | 10.5 | 13.5 |
| to max. mm                           |               | -13  | -15.5 | -15.5 | -18  | -18  | -20  |
| Terminal for cond. cross             |               | 1    | 1     | 1     | -2.5 | -2.5 | -2.5 |
| section (mm <sup>2</sup> ) min.-max. |               | -2.5 | -2.5  | -2.5  | -6   | -6   | -6   |