

Stainless steel receptacle combination

Part no. 83705

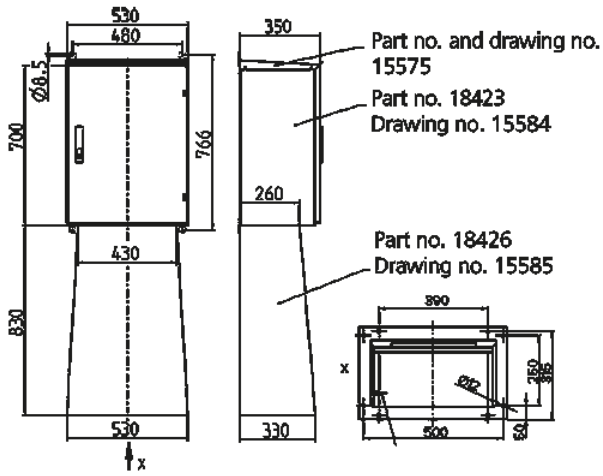


- stainless steel enclosure (material 1.4301)
- surface with a flat finish (K240), material 1.4571 on request
- protection type IP 44 with closed door

Technical specifications

| | | |
|---------------------------|---------|---|
| CEE 63 A, 5 p, 400 V | 1 | |
| CEE 32 A, 5 p, 400 V | 2 | |
| CEE 16 A, 5 p, 400 V | 2 | |
| SCHUKO® 16 A, 230 V | 3 | |
| Fusing | | <ul style="list-style-type: none"> • 2 RCD's 63 A, 4 p, 0.03 A • 2 MCB's 63 A, 3 p, C • 2 MCB's 32 A, 3 p, C • 2 MCB's 16 A, 3 p, C • 3 MCB's 16 A, 1 p, B |
| Pre-fuse max. | 125 A | |
| InA | 70 A | |
| RDF | 0.4 | |
| Connection / feeder cable | | • for 2 cables up to 5 x 50 mm ² |
| Protection type | IP 44 | |
| Shutter | false | |
| Enclosure material | Metal | |
| Weight | 68000 g | |
| Height | 700 mm | |
| Width | 530 mm | |
| Depth | 350 mm | |
| Declaration of Conformity | EAC | |

Drawing



Drawing
1 MB 439

Dim. in mm