

Double Box with TwinCONTACT

Part no. 1649

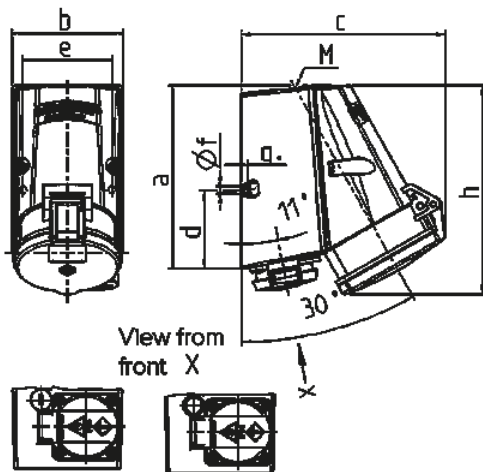


- screwless spring terminals
- CEE and receptacle SCHUKO® in one enclosure
- also available with shock-proof receptacles to comply with French/Belgian, Danish and Swiss standards

Technical specifications

CEE 16 A, 5 p, 400 V	1
SCHUKO® 16 A, 230 V	1
Protection type	IP 44
Shutter	false
Enclosure material	Plastic
Weight	375 g
Declaration of Conformity	VDE, EAC, Kema

Drawing



Drawing	Amp.	16			32
		Poles			5
1 MB 354		4	5	5	
Dim. in mm	a	141	141	141	
	b	84	84	85	
	c	136	140	158	
	d	61	61	61	
	e	68	68	68	
	f	5.5	5.5	5.5	
	g	5	5	5	
	h	142	145	161	
	M	25	25	25	
Max. cable diam. (mm)		18	18	18	
Terminal for cond. cross section (mm²) min.-max.		1.5	1.5	2.5	
		—4	—4	—10	